

# TAIKI®



SOFT JAWS



JAW BORING  
FIXTURES (TL-TYPE)



HARD JAWS



JAW BORING  
RINGS (JB-TYPE)



JAW T-NUTS



**SOFT JAWS & ACCESSORIES  
OF POWER CHUCKS**





## COMPANY PROFILE

**TAIKI** was founded in 1975. Since then, **TAIKI** has become the specialist in manufacturing soft jaws for all popular power chucks and other accessories of chucks.

In 1985, **TAIKI** expanded the production line to set up a Research & Develop Department in order to provide professional and multiply service to customers. **TAIKI** always regard innovation as a challenge.

We have over 30 years experience in integrated manufacturing. Innovative ability to create Steel, Aluminum and POM. With everlasting efforts, **TAIKI** has been in a leading position in the production of soft jaws.

**TAIKI** always tries the best to satisfy customer's demands and promote their efficiency. Providing the best quality, varied specifications and reasonable price is TAIKI's goal in business.





# Management & Concept:

## ▶▶ LEADING

- **TAIKI** are the largest for Soft Jaws & Accessories of Power Chuck in Taiwan.
- Offering first class manufacturing facilities with chuck Jaws field.

## ▶▶ PROFESSIONAL

- We are professional manufacturer for Soft Jaws and Accessories of Power Chucks, with a definite focus on providing excellent, high quality, accurate products with over 30 years experience.

## ▶▶ SERVICE

- We dedicate to enhancing quality and developing workholding innovations to satisfy customers' needs has made, **TAIKI** has become the creating high value added solutions.

## ▶▶ VARIED PRODUCTS

- Our main line of Soft Jaws offer solutions for all sorts of chucking applications, including soft jaws (standard type, extra-height, extra-width, extra-length type) hard jaws, pie jaws, tongue & groove soft top Jaws, jaw boring rings and jaw t-nuts.

## ▶▶ CUSTOMER DESIGNED

- Every year we design and manufacture thousands of sets of jaws for customers, all designed to offer safe and profitable workholding.
- Many different styles and sizes to suit Kitagawa Chucks and other popular power chucks.



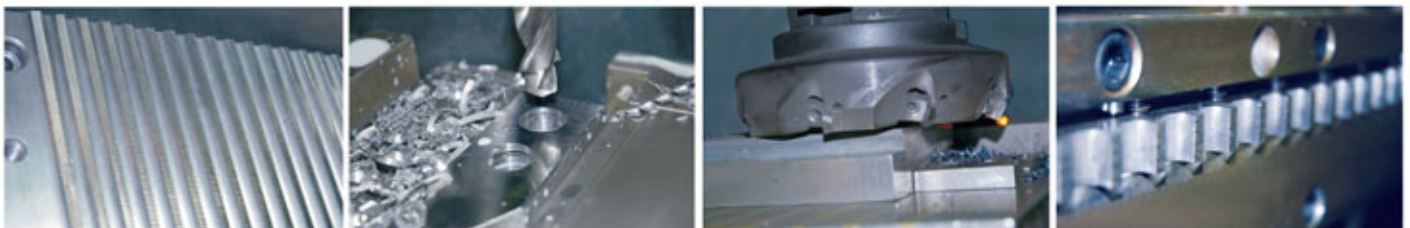
# Vision & Mission:

## ▶▶ VISION

- Excel as World Class Leading Provider of Soft Jaws & Accessories of Power Chucks.

## ▶▶ MISSION

- Win Customers' Confidence and Create the Precision Industry Future.



# TAIKI®

## INDEX

### SOFT JAWS FOR HYDRAULIC CHUCKS

1.5mmX60°  
STANDARD TYPE

1



3.0mmX60°  
STANDARD TYPE

2



1/16"X90°  
STANDARD TYPE

2



ALUMINUM  
SOFT JAWS

3



SPECIAL L TYPE

3



EXTRA-HEIGHT  
TYPE

4



EXTRA-WIDTH  
TYPE

5



EXTRA-LENGTH  
TYPE

6



ROUND JAWS  
(STEEL & ALUMINUM TYPE)

7



TONGUE & GROOVE  
SOFT JAWS

8



TONGUE & GROOVE  
ROUND JAWS

9



### ACCESSORIES

JAW BORING FIXTURES  
(TL-TYPE)

10



JAW BORING RINGS  
(JB-TYPE)

11



HARD JAWS

11



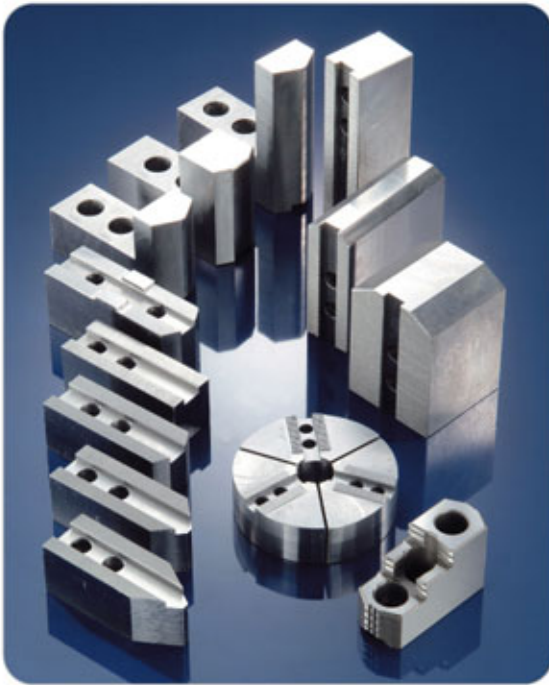
JAW T-NUTS

12





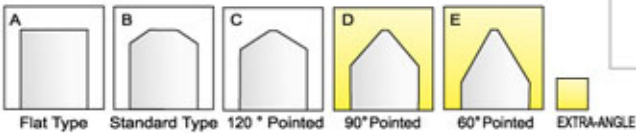
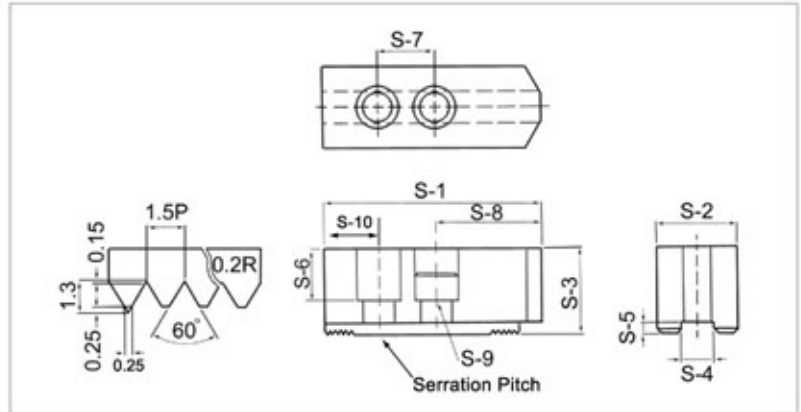
## SOFT JAWS FOR HYDRAULIC CHUCKS



TAIKI has more than thirty years of experience in manufacturing soft jaws. With everlasting efforts, TAIKI has been in a professional and leading position. We provide different styles and size to suit for all brands of hydraulic power chucks. We categorize the jaws into many types, such as standard, extra-height, extra-width and extra-length type. Varied specifications are provided in order to satisfy all customers' different demands to promote high efficiency and accuracy.

Welcome OEM customers to be our business partners. Please feel free to contact us for more details or information. (Please find page 13 & 14)

### 1.5mmX60° STANDARD TYPE



- With above angle for different workpiece:
- For Flat Type Jaws, please add "A" to suffix of order number, such as :SJ08037A  
Standard Type :SJ08037B, 120° Pointed :SJ08037C, 90° Pointed :SJ08037D, 60° Pointed :SJ08037E,

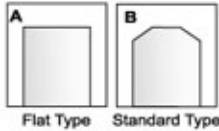
#### ▶ DIMENSIONS

UNIT: mm

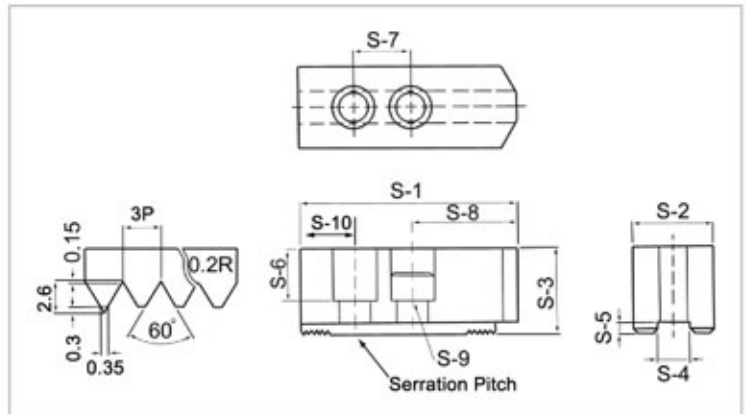
| DIMENSION<br>ORDER NUMBER | S-1 | S-2 | S-3 | S-4      | S-5  | S-6 | S-7 | S-8   |          | S-9      | S-10<br>(A/B angle) | S-10<br>(C/D/E angle) | Serration Pitch | Gross Weight<br>(kg) |
|---------------------------|-----|-----|-----|----------|------|-----|-----|-------|----------|----------|---------------------|-----------------------|-----------------|----------------------|
|                           |     |     |     |          |      |     |     | A,B   | C,D<br>E |          |                     |                       |                 |                      |
| SJ04023                   | 51  | 23  | 23  | 10       | 4    | 13  | 14  | 27    |          | M8       |                     | 10                    | 1.5x60°         | 0.5                  |
| SJ05027                   | 62  | 23  | 27  | 10       | 4    | 17  | 14  | 38    |          | M8       |                     | 10                    | 1.5x60°         | 0.7                  |
| SJ06030                   | 73  | 31  | 31  | 12       | 5    | 18  | 20  | 38 43 |          | M10      | 15                  | 10                    | 1.5x60°         | 1.5                  |
| SJ08037                   | 95  | 35  | 37  | 14       | 5    | 22  | 25  | 46 54 |          | M12      | 24                  | 16                    | 1.5x60°         | 2.5                  |
| SJ10042                   | 110 | 40  | 42  | 16       | 5    | 27  | 30  | 50 60 |          | M12      | 30                  | 20                    | 1.5x60°         | 3.6                  |
| SJ12048                   | 129 | 48  | 48  | 21(18)   | 5    | 28  | 30  | 60 74 |          | M16(M14) | 39                  | 25                    | 1.5x60°         | 6.2                  |
| SJ15062A                  | 165 | 62  | 62  | 22(25.5) | 8(5) | 37  | 43  | 85    |          | M20      | 37                  |                       | 1.5x60°         | 12.6                 |
| SJ18062A                  | 165 | 62  | 62  | 22(25.5) | 8(5) | 37  | 43  | 85    |          | M20      | 37                  |                       | 1.5x60°         | 12.6                 |

- Material: Steel (S45C)
- To suit kitagawa and other famous chucks.

# 3.0mmX60° STANDARD TYPE



Flat Type Standard Type



■ For Flat and Standard Type, the other angle, please find page13.

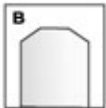
## ▶▶ DIMENSIONS

UNIT: mm

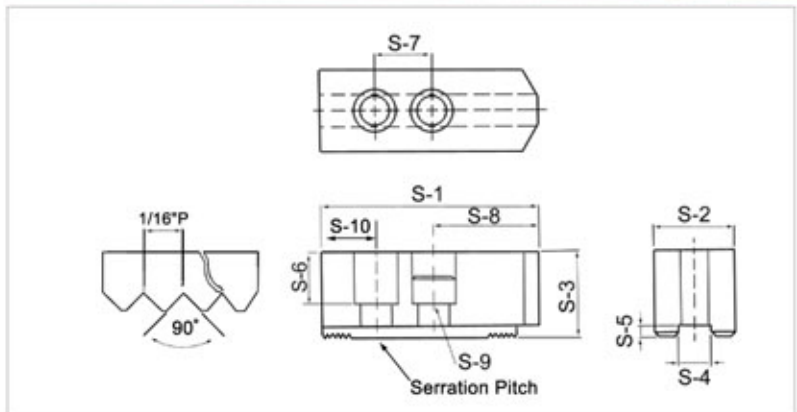
| DIMENSION<br>ORDER NUMBER | S-1 | S-2 | S-3 | S-4 | S-5 | S-6 | S-7 | S-8 | S-9 | S-10 | Serration Pitch |
|---------------------------|-----|-----|-----|-----|-----|-----|-----|-----|-----|------|-----------------|
| SJA06030B                 | 73  | 31  | 30  | 12  | 6   | 17  | 20  | 38  | M10 | 15   | 3.0x60°         |
| SJA08037B                 | 95  | 35  | 37  | 14  | 6   | 21  | 25  | 46  | M12 | 24   | 3.0x60°         |
| SJA10042B                 | 110 | 40  | 42  | 16  | 6   | 26  | 30  | 50  | M12 | 30   | 3.0x60°         |
| SJA12048B                 | 129 | 48  | 48  | 18  | 6   | 28  | 38  | 59  | M14 | 32   | 3.0x60°         |
| SJA15062A                 | 165 | 62  | 62  | 22  | 9   | 37  | 60  | 66  | M20 | 39   | 3.0x60°         |
| SJA21070A                 | 180 | 63  | 70  | 25  | 9   | 45  | 60  | 80  | M20 | 40   | 3.0x60°         |
| SJA24070A                 | 180 | 63  | 70  | 25  | 9   | 45  | 60  | 80  | M20 | 40   | 3.0x60°         |

- Material: Steel (S45C)
- To suit kitagawa and other famous chucks.

# 1/16"X90° STANDARD TYPE



Standard Type



■ Standard type only, for other angle, please find page13.

## ▶▶ DIMENSIONS

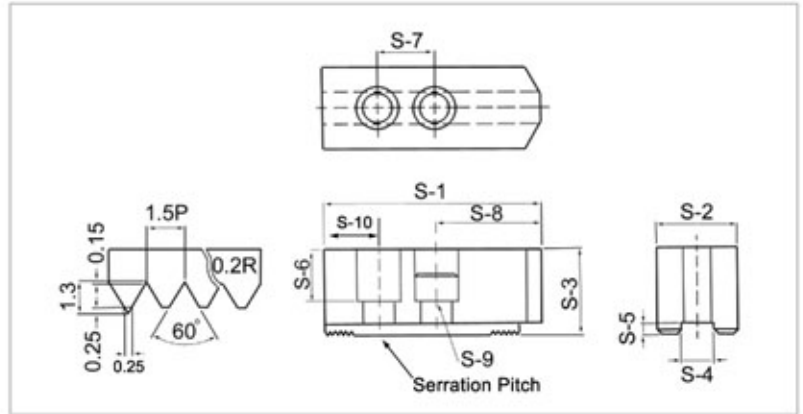
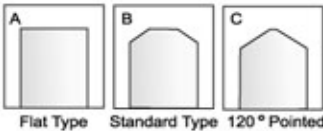
UNIT: mm

| DIMENSION<br>ORDER NUMBER | S-1 | S-2 | S-3 | S-4  | S-5 | S-6 | S-7 | S-8 | S-9 | S-10 | Serration Pitch |
|---------------------------|-----|-----|-----|------|-----|-----|-----|-----|-----|------|-----------------|
| SJ130/12C                 | 62  | 23  | 27  | 12   | 5   | 15  | 16  | 36  | M8  | 10   | 1/16"x90°       |
| SJ160/17B                 | 73  | 31  | 30  | 17   | 5   | 18  | 22  | 36  | M12 | 15   | 1/16"x90°       |
| SJ165/14B                 | 73  | 31  | 30  | 14   | 5   | 18  | 20  | 38  | M10 | 15   | 1/16"x90°       |
| SJ200/17B                 | 95  | 35  | 37  | 17   | 5   | 22  | 22  | 49  | M12 | 24   | 1/16"x90°       |
| SJ250/17B                 | 110 | 40  | 42  | 17   | 5   | 27  | 22  | 58  | M12 | 30   | 1/16"x90°       |
| SJ250/21B                 | 110 | 40  | 42  | 21   | 5   | 27  | 28  | 52  | M16 | 30   | 1/16"x90°       |
| SJ315/21B                 | 129 | 48  | 48  | 21   | 5   | 33  | 28  | 64  | M16 | 37   | 1/16"x90°       |
| SJ300/25.5B               | 129 | 48  | 60  | 25.5 | 6   | 42  | 35  | 57  | M20 | 37   | 1/16"x90°       |

- Material: Steel (S45C)
- To suit Autoblok and other famous chucks.



# ALUMINUM SOFT JAWS



■ For other angle and dimensions, please find page 13.

## DIMENSIONS

UNIT: mm

| DIMENSION<br>ORDER NUMBER | S-1 | S-2 | S-3 | S-4      | S-5  | S-6 | S-7 | S-8 | S-9      | S-10 | Serration Pitch | Excursus |
|---------------------------|-----|-----|-----|----------|------|-----|-----|-----|----------|------|-----------------|----------|
| <b>SJ-A04023C</b>         | 51  | 23  | 23  | 10       | 4    | 13  | 14  | 27  | M8       | 10   | 1.5x60°         |          |
| <b>SJ-A05027C</b>         | 62  | 23  | 27  | 10       | 4    | 17  | 14  | 38  | M8       | 10   | 1.5x60°         |          |
| <b>SJ-A06030B</b>         | 73  | 31  | 30  | 12       | 5    | 18  | 20  | 38  | M10      | 15   | 1.5x60°         |          |
| <b>SJ-A08037B</b>         | 95  | 35  | 37  | 14       | 5    | 22  | 25  | 46  | M12      | 24   | 1.5x60°         |          |
| <b>SJ-A10042B</b>         | 110 | 40  | 42  | 16       | 5    | 27  | 30  | 50  | M12      | 30   | 1.5x60°         |          |
| <b>SJ-A12048B</b>         | 129 | 48  | 48  | 21(18)   | 5    | 28  | 30  | 60  | M16(M14) | 39   | 1.5x60°         |          |
| <b>SJ-A15062A</b>         | 165 | 62  | 62  | 22(25.5) | 8(5) | 37  | 43  | 85  | M20      | 37   | 1.5x60°         |          |
| <b>SJ-A18062A</b>         | 165 | 62  | 62  | 22(25.5) | 8(5) | 37  | 43  | 85  | M20      | 37   | 1.5x60°         |          |

- Material: Aluminum (6061 T6)
- To suit kitagawa and other famous chucks.

## SPECIAL L TYPE

### FEATURE

- ▶ We offer this special L type of soft jaws to save customers' time, **TAIKI**-Jaws in special design.
- ▶ Designed according to your workpiece.
- ▶ Every year we design and manufacture thousands of sets of jaws for customers.
- ▶ All designed to offer safe and profitable workholding.



Fig.1



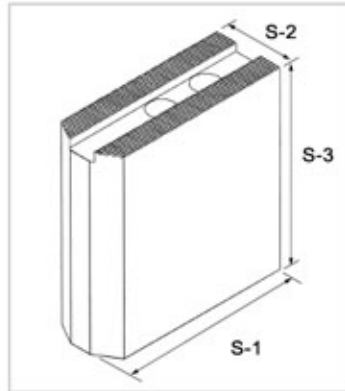
Fig.2



Fig.3

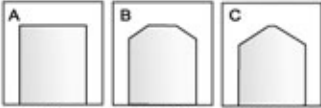
■ Material: Steel (S45C)

# EXTRA-HEIGHT TYPE



## ▶ FEATURE

- ▶ Soft jaws of extra-height type are suitable for the length of workpiece is longer, such as 100mm length will need soft jaws of extra-height type with over 70mm height which will increase the accuracy and stability of production process.
- ▶ We are available from over 8 inch which over 200mm height.



Flat Type Standard Type 120° Pointed

- With above angle for different workpiece:
- For Flat Type Jaws, please add "A" to suffix of order number, such as: SJ08060A, Standard Type: SJ08060B, 120° Pointed : SJ08060C.

## ▶ DIMENSIONS

UNIT: mm

### SJ05

| ORDER NUMBER | DIMENSION  |           |            |                 |          |
|--------------|------------|-----------|------------|-----------------|----------|
|              | Length S-1 | Width S-2 | Height S-3 | Serration Pitch | Excursus |
| SJ05036      | 62         | 23        | 36         | 1.5x60°         |          |
| SJ05048      | 62         | 23        | 48         | 1.5x60°         |          |
| SJ05070      | 62         | 23        | 70         | 1.5x60°         |          |
| SJ05100      | 62         | 23        | 100        | 1.5x60°         |          |

### SJ06

| ORDER NUMBER | DIMENSION  |           |            |                 |          |
|--------------|------------|-----------|------------|-----------------|----------|
|              | Length S-1 | Width S-2 | Height S-3 | Serration Pitch | Excursus |
| SJ06036      | 73         | 31        | 36         | 1.5x60°         |          |
| SJ06050      | 73         | 31        | 50         | 1.5x60°         |          |
| SJ06060      | 73         | 31        | 60         | 1.5x60°         |          |
| SJ06070      | 73         | 31        | 70         | 1.5x60°         |          |
| SJ06080      | 73         | 31        | 80         | 1.5x60°         |          |
| SJ06090      | 73         | 31        | 90         | 1.5x60°         |          |
| SJ06100      | 73         | 31        | 100        | 1.5x60°         |          |
| SJ06130      | 73         | 31        | 130        | 1.5x60°         |          |
| SJ06150      | 73         | 31        | 150        | 1.5x60°         |          |

### SJ08

| ORDER NUMBER | DIMENSION  |           |            |                 |          |
|--------------|------------|-----------|------------|-----------------|----------|
|              | Length S-1 | Width S-2 | Height S-3 | Serration Pitch | Excursus |
| SJ08050      | 95         | 35        | 50         | 1.5x60°         |          |
| SJ08060      | 95         | 35        | 60         | 1.5x60°         |          |
| SJ08070      | 95         | 35        | 70         | 1.5x60°         |          |
| SJ08080      | 95         | 35        | 80         | 1.5x60°         |          |
| SJ08090      | 95         | 35        | 90         | 1.5x60°         |          |
| SJ08100      | 95         | 35        | 100        | 1.5x60°         |          |
| SJ08120      | 95         | 35        | 120        | 1.5x60°         |          |
| SJ08150      | 95         | 35        | 150        | 1.5x60°         |          |
| SJ08180      | 95         | 35        | 180        | 1.5x60°         |          |
| SJ08210      | 95         | 35        | 210        | 1.5x60°         |          |

- Material: Steel (S45C)
- Serration Pitch: 1.5mmX60°
- To suit kitagawa and other famous chucks.

### SJ10

| ORDER NUMBER | DIMENSION  |           |            |                 |          |
|--------------|------------|-----------|------------|-----------------|----------|
|              | Length S-1 | Width S-2 | Height S-3 | Serration Pitch | Excursus |
| SJ10050      | 110        | 40        | 50         | 1.5x60°         |          |
| SJ10060      | 110        | 40        | 60         | 1.5x60°         |          |
| SJ10070      | 110        | 40        | 70         | 1.5x60°         |          |
| SJ10080      | 110        | 40        | 80         | 1.5x60°         |          |
| SJ10090      | 110        | 40        | 90         | 1.5x60°         |          |
| SJ10100      | 110        | 40        | 100        | 1.5x60°         |          |
| SJ10120      | 110        | 40        | 120        | 1.5x60°         |          |
| SJ10150      | 110        | 40        | 150        | 1.5x60°         |          |
| SJ10180      | 110        | 40        | 180        | 1.5x60°         |          |
| SJ10200      | 110        | 40        | 200        | 1.5x60°         |          |

### SJ12

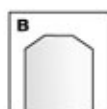
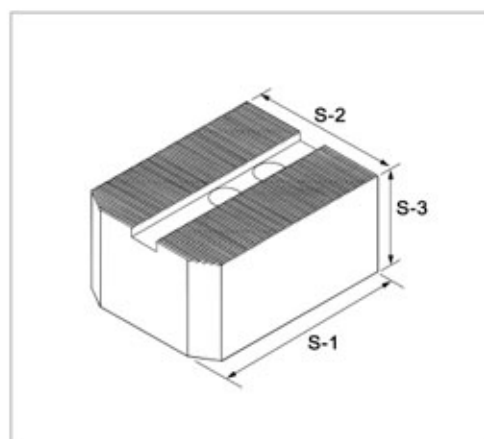
| ORDER NUMBER | DIMENSION  |           |            |                 |          |
|--------------|------------|-----------|------------|-----------------|----------|
|              | Length S-1 | Width S-2 | Height S-3 | Serration Pitch | Excursus |
| SJ12060      | 129        | 48        | 60         | 1.5x60°         |          |
| SJ12080      | 129        | 48        | 80         | 1.5x60°         |          |
| SJ12100      | 129        | 48        | 100        | 1.5x60°         |          |
| SJ12120      | 129        | 48        | 120        | 1.5x60°         |          |
| SJ12150      | 129        | 48        | 150        | 1.5x60°         |          |
| SJ12180      | 129        | 48        | 180        | 1.5x60°         |          |
| SJ12200      | 129        | 48        | 200        | 1.5x60°         |          |

### SJ15 / SJ18

| ORDER NUMBER | DIMENSION  |           |            |                 |          |
|--------------|------------|-----------|------------|-----------------|----------|
|              | Length S-1 | Width S-2 | Height S-3 | Serration Pitch | Excursus |
| SJ15080A     | 165        | 62        | 80         | 1.5x60°         |          |
| SJ15100A     | 165        | 62        | 100        | 1.5x60°         |          |
| SJ15130A     | 165        | 62        | 130        | 1.5x60°         |          |
| SJ15150A     | 165        | 62        | 150        | 1.5x60°         |          |
| SJ15180A     | 165        | 62        | 180        | 1.5x60°         |          |
| SJ15220A     | 165        | 62        | 220        | 1.5x60°         |          |



# EXTRA-WIDTH TYPE



Standard Type

- Standard Type only.
- For other angle, please find page13.

## ▶ FEATURE

- ▶ Soft jaws of extra-width type are suitable for thinner, deformable and bigger covering range of parts enable to decrease deformation and increase the accuracy.
- ▶ Such as outer dia. 60mm will need 60mm of extra-width type of soft jaws.

## ▶ DIMENSIONS

UNIT: mm

### SJ06

| <i>DIMENSION</i><br>ORDER NUMBER | Length<br>S-1 | Width<br>S-2 | Height<br>S-3 | Serration<br>Pitch | Excursus |
|----------------------------------|---------------|--------------|---------------|--------------------|----------|
| <b>SJ0603048B</b>                | 73            | 48           | 30            | 1.5x60°            |          |
| <b>SJ0603060B</b>                | 73            | 60           | 30            | 1.5x60°            |          |
| <b>SJ0603080B</b>                | 73            | 80           | 30            | 1.5x60°            |          |
| <b>SJ0604848B</b>                | 73            | 48           | 48            | 1.5x60°            |          |
| <b>SJ0604863B</b>                | 73            | 63           | 48            | 1.5x60°            |          |
| <b>SJ0606060B</b>                | 73            | 60           | 60            | 1.5x60°            |          |
| <b>SJ0607070B</b>                | 73            | 70           | 70            | 1.5x60°            |          |

- Material: Steel (S45C)
- Serration Pitch: 1.5mmX60°
- To suit kitagawa and other famous chucks.

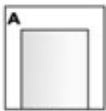
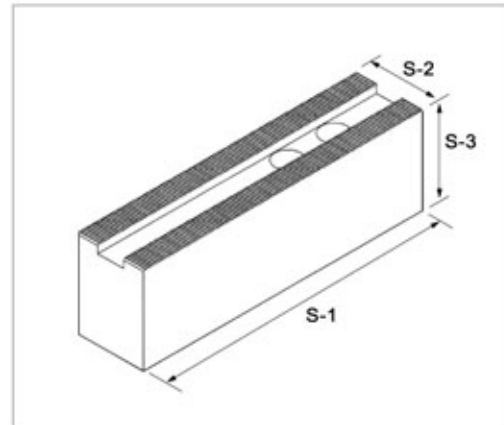
### SJ08

| <i>DIMENSION</i><br>ORDER NUMBER | Length<br>S-1 | Width<br>S-2 | Height<br>S-3 | Serration<br>Pitch | Excursus |
|----------------------------------|---------------|--------------|---------------|--------------------|----------|
| <b>SJ0803648B</b>                | 95            | 48           | 36            | 1.5x60°            |          |
| <b>SJ0803663B</b>                | 95            | 63           | 36            | 1.5x60°            |          |
| <b>SJ0803680B</b>                | 95            | 80           | 36            | 1.5x60°            |          |
| <b>SJ0804848B</b>                | 95            | 48           | 48            | 1.5x60°            |          |
| <b>SJ0804873B</b>                | 95            | 73           | 48            | 1.5x60°            |          |
| <b>SJ0804890B</b>                | 95            | 90           | 48            | 1.5x60°            |          |
| <b>SJ0806363B</b>                | 95            | 63           | 63            | 1.5x60°            |          |
| <b>SJ0807373B</b>                | 95            | 73           | 73            | 1.5x60°            |          |
| <b>SJ0808383B</b>                | 95            | 83           | 83            | 1.5x60°            |          |

### SJ10

| <i>DIMENSION</i><br>ORDER NUMBER | Length<br>S-1 | Width<br>S-2 | Height<br>S-3 | Serration<br>Pitch | Excursus |
|----------------------------------|---------------|--------------|---------------|--------------------|----------|
| <b>SJ1004263 B</b>               | 110           | 63           | 42            | 1.5x60°            |          |
| <b>SJ10042100 B</b>              | 110           | 100          | 42            | 1.5x60°            |          |
| <b>SJ1004873 B</b>               | 110           | 73           | 48            | 1.5x60°            |          |
| <b>SJ1006363 B</b>               | 110           | 63           | 63            | 1.5x60°            |          |
| <b>SJ1007373 B</b>               | 110           | 73           | 73            | 1.5x60°            |          |
| <b>SJ1008383 B</b>               | 110           | 83           | 83            | 1.5x60°            |          |

# EXTRA-LENGTH TYPE



Flat Type

- Flat Type only

## FEATURE

- Soft Jaws of extra-Length type are suitable for parts with bigger outer dia.
- For example : Outer dia.250mm will suit to use SJ08 with extra-Length 150mm of soft jaws.

## DIMENSIONS

UNIT: mm

### SJ08

| ORDER NUMBER       | DIMENSION     |              |               |                    |          |
|--------------------|---------------|--------------|---------------|--------------------|----------|
|                    | Length<br>S-1 | Width<br>S-2 | Height<br>S-3 | Serration<br>Pitch | Excursus |
| <b>SJ08048150A</b> | 150           | 35           | 48            | 1.5x60°            |          |
| <b>SJ08063150A</b> | 150           | 35           | 63            | 1.5x60°            |          |

### SJ12

| ORDER NUMBER       | DIMENSION     |              |               |                    |          |
|--------------------|---------------|--------------|---------------|--------------------|----------|
|                    | Length<br>S-1 | Width<br>S-2 | Height<br>S-3 | Serration<br>Pitch | Excursus |
| <b>SJ12048150A</b> | 150           | 48           | 48            | 1.5x60°            |          |
| <b>SJ12048170A</b> | 170           | 48           | 48            | 1.5x60°            |          |
| <b>SJ12060170A</b> | 170           | 48           | 60            | 1.5x60°            |          |
| <b>SJ12060200A</b> | 200           | 48           | 60            | 1.5x60°            |          |
| <b>SJ12080170A</b> | 170           | 48           | 80            | 1.5x60°            |          |

### SJ10

| ORDER NUMBER       | DIMENSION     |              |               |                    |          |
|--------------------|---------------|--------------|---------------|--------------------|----------|
|                    | Length<br>S-1 | Width<br>S-2 | Height<br>S-3 | Serration<br>Pitch | Excursus |
| <b>SJ10048150A</b> | 150           | 40           | 48            | 1.5x60°            |          |
| <b>SJ10063150A</b> | 150           | 40           | 63            | 1.5x60°            |          |
| <b>SJ10083150A</b> | 150           | 40           | 83            | 1.5x60°            |          |
| <b>SJ10090180A</b> | 180           | 40           | 90            | 1.5x60°            |          |

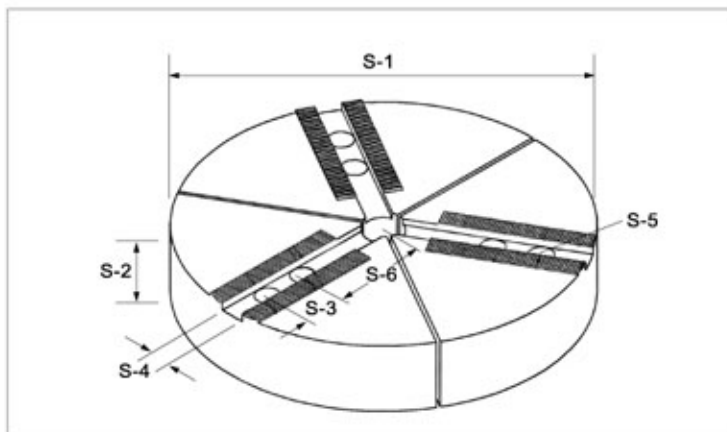
### SJ15

| ORDER NUMBER       | DIMENSION     |              |               |                    |          |
|--------------------|---------------|--------------|---------------|--------------------|----------|
|                    | Length<br>S-1 | Width<br>S-2 | Height<br>S-3 | Serration<br>Pitch | Excursus |
| <b>SJ15072200A</b> | 200           | 62           | 72            | 1.5x60°            |          |
| <b>SJ15072250A</b> | 250           | 62           | 72            | 1.5x60°            |          |

- Material: Steel (S45C)
- Serration Pitch: 1.5mmX60°
- To suit kitagawa and other famous chucks.



# ROUND JAWS



## FEATURE

- ▶ Round jaws are suitable for extra bigger outer dia.(thin wall)
- ▶ This type of soft jaw can cover the outer dia.of workpiece enable to decrease deformation and increase the accuracy.
- ▶ For example :Type of FW08 can hold parts with outer dia.of 200mm.

## DIMENSIONS

UNIT: mm

| ORDER NUMBER | DIMENSION | S-1 | S-2 | S-3 | S-4    | S-5 Bolt Size | S-6  | Thru Hole | Serration Pitch | Excursus |
|--------------|-----------|-----|-----|-----|--------|---------------|------|-----------|-----------------|----------|
| FW04032      |           | 100 | 32  | 14  | 10     | M8            | 26   | 25        | 1.5x60°         |          |
| FW05032      |           | 135 | 32  | 14  | 10     | M8            | 43.5 | 25        | 1.5x60°         |          |
| FW06040      |           | 169 | 40  | 20  | 12     | M10           | 49.5 | 25        | 1.5x60°         |          |
| FW08040      |           | 200 | 40  | 25  | 14     | M12           | 51   | 25        | 1.5x60°         |          |
| FW08050      |           | 200 | 50  | 25  | 14     | M12           | 51   | 25        | 1.5x60°         |          |
| FW10050      |           | 250 | 50  | 30  | 16     | M12           | 65   | 25        | 1.5x60°         |          |
| FW12050      |           | 300 | 50  | 30  | 21(18) | M16(M14)      | 81   | 25        | 1.5x60°         |          |

- Material: Steel (S45C)
- To suit kitagawa and other famous chucks.

# ALUMINUM ROUND JAWS

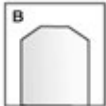
## DIMENSIONS

UNIT: mm

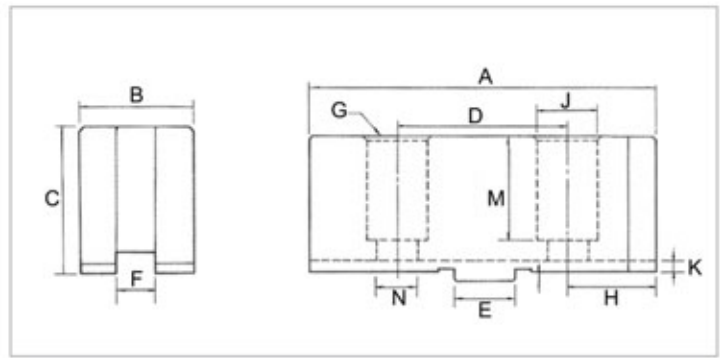
| ORDER NUMBER | DIMENSION | S-1 | S-2 | S-3 | S-4    | S-5 Bolt Size | S-6  | S-7 Thru Hole | Serration Pitch | Excursus |
|--------------|-----------|-----|-----|-----|--------|---------------|------|---------------|-----------------|----------|
| FW-A04032    |           | 100 | 32  | 14  | 10     | M8            | 26   | 25            | 1.5x60°         |          |
| FW-A05032    |           | 135 | 32  | 14  | 10     | M8            | 43.5 | 25            | 1.5x60°         |          |
| FW-A06040    |           | 169 | 40  | 20  | 12     | M10           | 49.5 | 25            | 1.5x60°         |          |
| FW-A08040    |           | 200 | 40  | 25  | 14     | M12           | 51   | 25            | 1.5x60°         |          |
| FW-A08050    |           | 200 | 50  | 25  | 14     | M12           | 51   | 25            | 1.5x60°         |          |
| FW-A10050    |           | 250 | 50  | 30  | 16     | M12           | 65   | 25            | 1.5x60°         |          |
| FW-A12050    |           | 300 | 50  | 30  | 21(18) | M16(M14)      | 81   | 25            | 1.5x60°         |          |

- Material: Aluminum (6061 T6)

# TONGUE & GROOVE SOFT JAWS



Standard Type



■ Standard Type only, for other angle, please find page 14.

## ▶ DIMENSIONS

UNIT: mm

| DIMENSION<br>ORDER NUMBER | A   | B  | C  | D     | E     | F    | G   | H    | J  | K   | M    | N   | Gross Weight<br>(kg) |
|---------------------------|-----|----|----|-------|-------|------|-----|------|----|-----|------|-----|----------------------|
| PSJ06032                  | 73  | 32 | 32 | 38.1  | 12.68 | 7.94 | M8  | 22   | 14 | 3.5 | 20   | 8.5 | 1.5                  |
| PSJ07-8"032               | 95  | 32 | 32 | 44.45 | 12.68 | 7.94 | M10 | 33.5 | 17 | 3.5 | 18   | 11  | 1.7                  |
| PSJ09-10"032              | 105 | 32 | 32 | 53.98 | 19.03 | 12.7 | M12 | 31   | 19 | 3.5 | 18   | 13  | 1.9                  |
| PSJ12054                  | 125 | 40 | 54 | 63.5  | 19.03 | 12.7 | M12 | 35.5 | 19 | 3.5 | 40.5 | 13  | 5.3                  |
| PSJ16070                  | 162 | 50 | 70 | 76.2  | 19.03 | 12.7 | M16 | 42   | 25 | 5.5 | 48   | 17  | 11                   |

### PSJ06

| DIMENSION<br>ORDER NUMBER | length<br>A | width<br>B | height<br>C | Excursus |
|---------------------------|-------------|------------|-------------|----------|
| PSJ06032                  | 73          | 32         | 32          |          |
| PSJ06048                  | 73          | 26         | 48          |          |
| PSJ06073                  | 73          | 26         | 73          |          |

### PSJ09-10

| DIMENSION<br>ORDER NUMBER | length<br>A | width<br>B | height<br>C | Excursus |
|---------------------------|-------------|------------|-------------|----------|
| PSJ09-10"032              | 105         | 32         | 32          |          |
| PSJ09-10"048              | 103         | 31         | 48          |          |
| PSJ09-10"063              | 103         | 31         | 63          |          |
| PSJ09-10"080              | 103         | 31         | 80          |          |
| PSJ09-10"100              | 103         | 31         | 100         |          |
| PSJ09-10"120              | 103         | 31         | 120         |          |
| PSJ09-10"150              | 103         | 31         | 150         |          |
| PSJ09-10"048150           | 150         | 31         | 48          |          |
| PSJ09-10"063150           | 150         | 31         | 63          |          |
| PSJ09-10"048210           | 210         | 31         | 48          |          |
| PSJ09-10"048300           | 300         | 31         | 48          |          |

### PSJ16

| DIMENSION<br>ORDER NUMBER | length<br>A | width<br>B | height<br>C | Excursus |
|---------------------------|-------------|------------|-------------|----------|
| PSJ16070                  | 162         | 50         | 70          |          |
| PSJ16100                  | 162         | 50         | 100         |          |
| PSJ16120                  | 162         | 50         | 120         |          |

- Material: 1015 1½S (PSJ06032, PSJ07-8"032, PSJ09-10"032)
- Material: Steel (S45C), beside the above three items.
- To suit kitagawa and other famous chucks.

### PSJ07-08

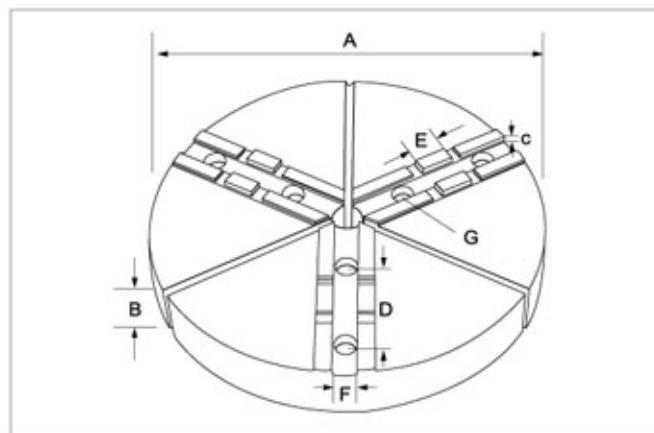
| DIMENSION<br>ORDER NUMBER | length<br>A | width<br>B | height<br>C | Excursus |
|---------------------------|-------------|------------|-------------|----------|
| PSJ07-8"032               | 95          | 32         | 32          |          |
| PSJ07-8"048               | 89          | 31         | 48          |          |
| PSJ07-8"073               | 89          | 31         | 73          |          |
| PSJ07-8"100               | 89          | 31         | 100         |          |
| PSJ07-8"120               | 89          | 31         | 120         |          |
| PSJ07-8"150               | 89          | 31         | 150         |          |
| PSJ07-8"048150            | 150         | 31         | 48          |          |

### PSJ12

| DIMENSION<br>ORDER NUMBER | length<br>A | width<br>B | height<br>C | Excursus |
|---------------------------|-------------|------------|-------------|----------|
| PSJ12054                  | 125         | 40         | 54          |          |
| PSJ12070                  | 125         | 40         | 70          |          |
| PSJ12090                  | 125         | 40         | 90          |          |
| PSJ12120                  | 125         | 40         | 120         |          |
| PSJ12048180               | 180         | 40         | 48          |          |
| PSJ12063180               | 180         | 40         | 63          |          |
| PSJ12048230               | 230         | 40         | 48          |          |



# TONGUE & GROOVE ROUND JAWS



## ▶ DIMENSIONS

UNIT: mm

| DIMENSION<br>ORDER NUMBER | A   | B  | C   | D     | E     | F    | G<br>Bolt Size | Thru Hole | Excursus |
|---------------------------|-----|----|-----|-------|-------|------|----------------|-----------|----------|
| <b>TGP06040</b>           | 165 | 40 | 3.5 | 38.1  | 12.68 | 7.94 | M8             | 25        |          |
| <b>TGP07-8"040</b>        | 190 | 40 | 3.5 | 44.45 | 12.68 | 7.94 | M10            | 25        |          |
| <b>TGP07-8"050</b>        | 190 | 50 | 3.5 | 44.45 | 12.68 | 12.7 | M10            | 25        |          |
| <b>TGP09-10"040</b>       | 230 | 40 | 3.5 | 53.98 | 19.03 | 12.7 | M12            | 25        |          |
| <b>TGP09-10"050</b>       | 230 | 50 | 3.5 | 53.98 | 19.03 | 12.7 | M12            | 25        |          |
| <b>TGP12050</b>           | 305 | 50 | 3.5 | 63.5  | 19.03 | 12.7 | M12            | 25        |          |

- Material: Steel (S45C)

# JAW BORING FIXTURES (TL- TYPE)

## 3-JAWS



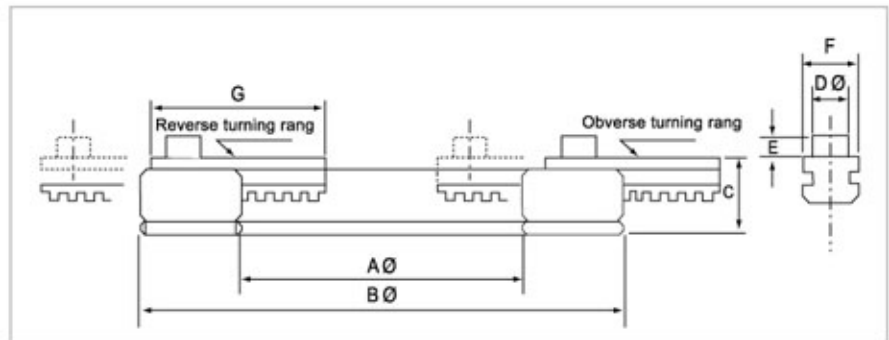
### ▶ FEATURE

To suit for CNC Lathe

- ▶ This type with a continuous micro adjustment is to provide accurate position, to reduce the abrasion of soft jaws.
- ▶ Soft jaws can be made small sizes by this type easily. With only some simple process, soft jaws can be bored.
- ▶ With anticlockwise lock, the machining field can be easily expended.



## 4-JAWS



### ▶ DIMENSIONS

UNIT: mm

| ORDER NUMBER | A Ø | B Ø | C  | D Ø-E  | F-G   | Jaw Stroke (Each) | Max.Gripping (Kgf) | Max. Speed (R.P.M.) | Weight (kg) | Matching Chuck |
|--------------|-----|-----|----|--------|-------|-------------------|--------------------|---------------------|-------------|----------------|
| TL-100       | 100 | 170 | 26 | 13-7   | 19-61 | 7.4               | 1,500              | 800                 | 2.7         | 5", 6", 8"     |
| TL-125       | 125 | 200 | 26 | 16.3-8 | 19-61 | 7.4               | 1,500              | 700                 | 3.5         | 6", 8", 10"    |
| TL-160       | 160 | 248 | 31 | 18.3-8 | 24-80 | 8.5               | 1,750              | 600                 | 5.6         | 8", 10", 12"   |

■ Material: SCM440

▶ The operation process as following:



1. Set the jaw for correct position.



2. Adjust the Jaw Boring Fixtures to fit the bolt holes, and turn opposite direction of the chuck clamping force.



3. Lock the chuck to clamp the Jaw Boring Fixtures.



4. Machining the required size.



5. Unlcock the chuck, and remove the Jaw Boring Fixtures.



6. If these steps are operated correctly, the part will be accuracy in better T.I.R.



# JAW BORING RINGS (JB-TYPE)



## FEATURE

To Suit for CNC Lathe.

▶ For adjust the high accuracy of chuck during cutting performance.

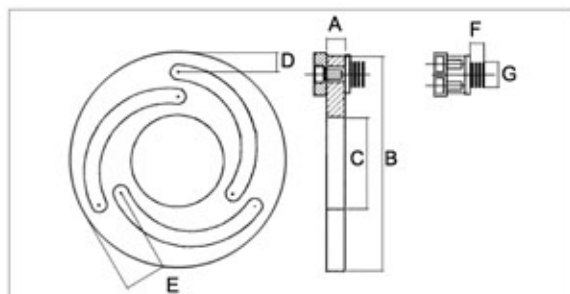
▶ The operation process as following:

1. Set the jaw for correct position.
2. Adjust the Jaw Boring Rings to fit the bolt holes.
3. Lock the chuck to clamp the Jaw Boring Rings.
4. Machining the required size.
5. Unlock the chuck.
6. If these steps are operated correctly, the part will be accuracy in better T.I.R.



## DIMENSIONS

UNIT: mm



| DIMENSION<br>ORDER NUMBER | A  | B   | C   | D  | E  | F  | G    | Weight<br>(kg) |
|---------------------------|----|-----|-----|----|----|----|------|----------------|
| <b>JB 04</b>              | 12 | 114 | 34  | 12 | 28 | 9  | 13   | 0.9            |
| <b>JB 05</b>              | 12 | 140 | 60  | 12 | 28 | 9  | 13   | 1.2            |
| <b>JB 06</b>              | 12 | 168 | 80  | 12 | 32 | 9  | 16.5 | 1.5            |
| <b>JB 08</b>              | 12 | 218 | 115 | 15 | 36 | 9  | 18.5 | 2.4            |
| <b>JB 10</b>              | 12 | 258 | 150 | 17 | 40 | 9  | 18.5 | 3.1            |
| <b>JB 12</b>              | 15 | 316 | 188 | 21 | 50 | 9  | 22.5 | 5.4            |
| <b>JB 15</b>              | 20 | 380 | 230 | 23 | 52 | 16 | 31   | 10.1           |

■ Material: SCM440

# HARD JAWS

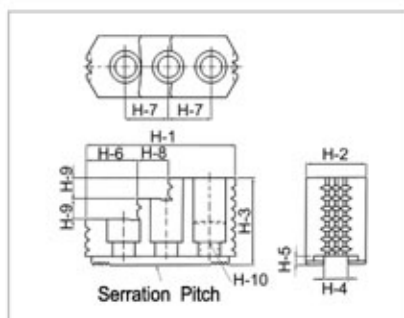


Fig. 1

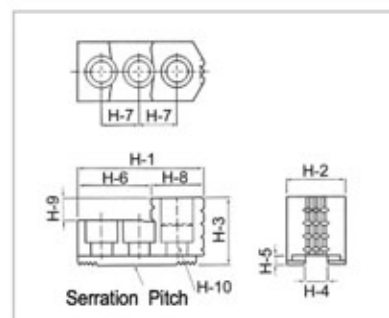


Fig. 2

## FEATURE

▶ The hardened serrations of the clamping step are designed to clamp the workpiece securely without leaving large scrape.

## DIMENSIONS

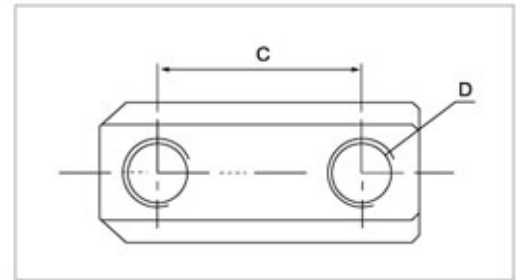
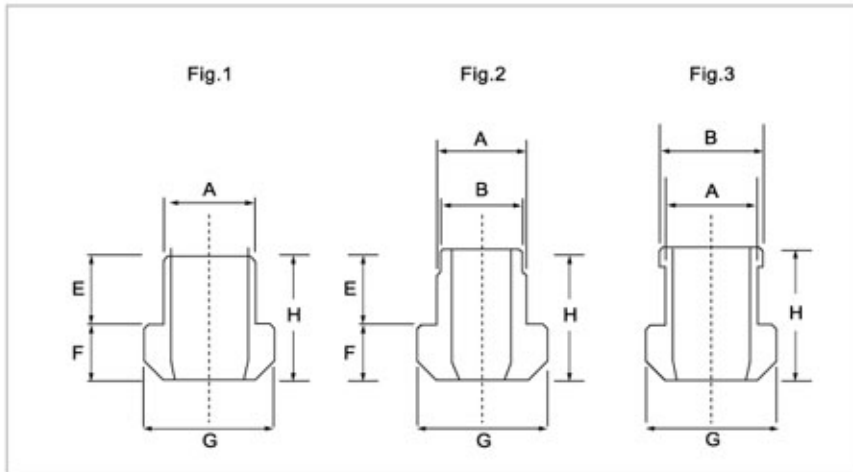
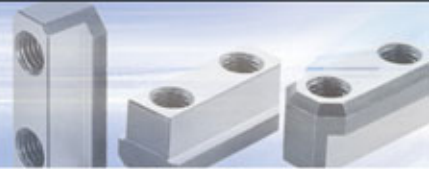
UNIT: mm

| DIMENSION<br>ORDER NUMBER | H-1 | H-2 | H-3 | H-4 | H-5 | H-6  | H-7 | H-8  | H-9 | H-10 | Serration<br>Pitch | Weight<br>(Kg) | Reference<br>Drawing |
|---------------------------|-----|-----|-----|-----|-----|------|-----|------|-----|------|--------------------|----------------|----------------------|
| <b>HJ05</b>               | 53  | 23  | 28  | 10  | 4   | 30.5 | 14  | 22.5 | 10  | M8   | 1.5x60°            | 0.4            | Fig. 2               |
| <b>HJ06</b>               | 67  | 31  | 36  | 12  | 5   | 39   | 20  | 28   | 12  | M10  | 1.5x60°            | 0.95           | Fig. 2               |
| <b>HJ08</b>               | 87  | 35  | 51  | 14  | 5   | 32   | 25  | 16   | 12  | M12  | 1.5x60°            | 1.95           | Fig. 1               |
| <b>HJ10</b>               | 101 | 40  | 54  | 16  | 5   | 43   | 30  | 17   | 13  | M12  | 1.5x60°            | 2.85           | Fig. 1               |
| <b>HJ12</b>               | 103 | 50  | 52  | 18  | 5   | 62   | 30  | 41   | 17  | M16  | 1.5x60°            | 3.9            | Fig. 2               |
| <b>HJ15</b>               | 143 | 62  | 86  | 22  | 5   | 55   | 43  | 38   | 20  | M20  | 1.5x60°            | 9.6            | Fig. 1               |
| <b>HJ21</b>               | 159 | 80  | 90  | 25  | 9   | 104  | 50  | 55   | 40  | M20  | 3.0x60°            | 14.5           | Fig. 2               |

■ Material: SNCM21

■ To suit kitagawa and other famous chucks.

# JAW T-NUTS



To suit power chucks.

- We also have varied sizes of t-nuts.
- Jaw Nuts could be designed according to the brand of power chucks.

## FEATURE

- ▶ To connect power chuck and soft jaws, to suit different brands.
- ▶ We categorize the T-Nuts into
  - Standard type (fig.1)
  - Special type (fig.2) 6" Soft Jaws are used for 8" chuck, 8" Soft Jaws are used for 10" chuck, 10" Soft Jaws are used for 12" chuck, 12" Soft Jaws are used for 15" chuck
  - Special type (fig.3) 10" Soft Jaws are used for 8" chuck,

## DIMENSIONS

UNIT: mm

### Fig.1



### Standard T-Nuts To suit Kitagawa B-type

| ORDER NUMBER | DIMENSION | Chuck Size | A    | C  | D   | E     | F    | G    | H     | To suit Kitagawa | Reference Drawing |
|--------------|-----------|------------|------|----|-----|-------|------|------|-------|------------------|-------------------|
| TB06         | 6"        | 6"         | 12   | 20 | M10 | 15    | 7.5  | 17.5 | 22.5  | B-06             | Fig. 1            |
| TB08         | 8"        | 8"         | 14   | 25 | M12 | 16    | 9.5  | 20.5 | 25.5  | B-08             | Fig. 1            |
| TB10         | 10"       | 10"        | 16   | 30 | M12 | 16    | 9.5  | 22.5 | 25.5  | B-10             | Fig. 1            |
| TB12         | 12"       | 12"        | 18   | 30 | M14 | 20    | 13.5 | 26.5 | 33.5  | B-12             | Fig. 1            |
| TB15         | 15"       | 15"        | 25.5 | 43 | M20 | 20.25 | 19   | 35   | 39.25 | N-15             | Fig. 1            |

### Fig.2



### Standard T-Nuts To suit Kitagawa B-200 type

| ORDER NUMBER | DIMENSION | Chuck Size | A  | B  | C  | D   | E     | F    | G    | H    | To suit Kitagawa | Reference Drawing |
|--------------|-----------|------------|----|----|----|-----|-------|------|------|------|------------------|-------------------|
| T05          | 5"        | 5"         | 10 | -- | 14 | M8  | 9.5   | 5.5  | 14.5 | 15   | B-205            | Fig. 1            |
| T06          | 6"        | 6"         | 12 | -- | 20 | M10 | 11    | 7.5  | 17.5 | 18.5 | B-206            | Fig. 1            |
| T08          | 8"        | 8"         | 14 | -- | 25 | M12 | 12    | 8.5  | 20.5 | 20.5 | B-208            | Fig. 1            |
| T10          | 10"       | 10"        | 16 | -- | 30 | M12 | 13    | 8.5  | 22.5 | 21.5 | B-210            | Fig. 1            |
| T12          | 12"       | 12"        | 21 | -- | 30 | M16 | 16.25 | 11.5 | 29.5 | 27.8 | B-212            | Fig. 1            |
| T15          | 15"       | 15"        | 24 | 22 | 43 | M20 | 29    | 16.5 | 33.5 | 45.5 | B-15             | Fig. 2            |
| T21          | 21"       | 21"        | 25 | -- | 60 | M20 | 26    | 19   | 37.5 | 45   | B-21             | Fig. 1            |

### Fig.3



### Special T-Nuts To suit Kitagawa B-200 type Such as: 6" soft jaw suitable for 8" chuck (6" to 8")

| ORDER NUMBER | DIMENSION | Chuck Size | Suitable to | A  | B  | C  | D   | H    | Reference Drawing |
|--------------|-----------|------------|-------------|----|----|----|-----|------|-------------------|
| TS08-06      | 6"        | 6"         | 8" to 6"    | 12 | 14 | 25 | M10 | 18.5 | Fig. 3            |
| TS06-08      | 8"        | 8"         | 6" to 8"    | 14 | 12 | 20 | M10 | 20.5 | Fig. 2            |
| TS10-08      | 8"        | 8"         | 10" to 8"   | 14 | 16 | 30 | M12 | 20.5 | Fig. 3            |
| TS08-10      | 10"       | 10"        | 8" to 10"   | 16 | 14 | 25 | M12 | 21.5 | Fig. 2            |
| TS10-12      | 12"       | 12"        | 10" to 12"  | 21 | 16 | 30 | M12 | 28   | Fig. 2            |
| TS12-15      | 15"       | 15"        | 12" to 15"  | 24 | 21 | 30 | M16 | 45.5 | Fig. 2            |

- Material: SCM440
- Jaw Nuts could be designed according to the brands of power chuck.



# SPECIAL ORDER FORM

## SOFT JAWS

### Metric & Imperial Serrations

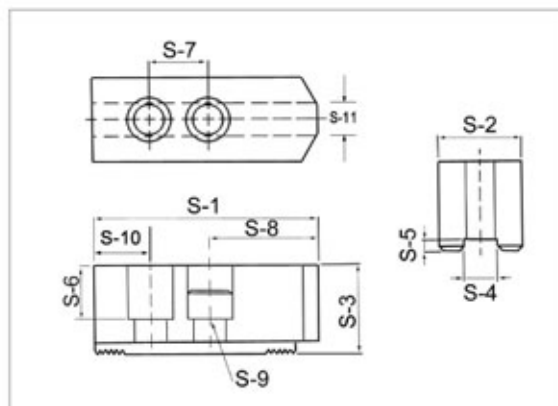
Customer # \_\_\_\_\_ Date: \_\_\_\_\_  
 Company Name: \_\_\_\_\_ Your Name: \_\_\_\_\_  
 Address: \_\_\_\_\_  
 Phone: \_\_\_\_\_ Fax: \_\_\_\_\_ E-mail: \_\_\_\_\_

#### ▶ PLEASE NOTE

- ▶ Special Order jaws are NON-REFUNDABLE.
- ▶ Special Order Soft Jaws have 50 sets (150 piece) minimum.

Angle of Jaws: \_\_\_\_\_

Quantity (3Pcs/Set): \_\_\_\_\_



UNIT: mm

| Chuck Size | S-1 Length | S-2 Width | S-3 Height | S-4 Groove Width | S-5 | S-6 | S-7 Hole space | S-8 | S-9 Bolt Size | S-10 | S-11 | Material<br>Steel or Aluminum |
|------------|------------|-----------|------------|------------------|-----|-----|----------------|-----|---------------|------|------|-------------------------------|
|            |            |           |            |                  |     |     |                |     |               |      |      |                               |

| Angle of Tooth | Serration Pitch  | Angle of Tooth | Serration Pitch  |
|----------------|--|----------------|--|
|                | <input type="checkbox"/> 1.5mmX60°<br><input type="checkbox"/> 3.0mmX60° |                | <input type="checkbox"/> 1/16"X90°<br><input type="checkbox"/> 3/32"X90° |

| Angle | (A) <input type="checkbox"/> Flat | (B) <input type="checkbox"/> Standard | (C) <input type="checkbox"/> 120° Pointed | (D) <input type="checkbox"/> 90° Pointed | (E) <input type="checkbox"/> 60° Pointed |
|-------|-----------------------------------|---------------------------------------|---|--|--|
|       |                                   |                                       |   |  |  |

Chuck Make& Model Number: \_\_\_\_\_  
 Chuck Make& Model Number may help us provide better service to you.

Please fill out if placing an order:

PO#: \_\_\_\_\_ Customer Signature: \_\_\_\_\_ Date: \_\_\_\_\_

### OFFICE USE ONLY

Quoted By: \_\_\_\_\_

List Price Per Set: \_\_\_\_\_ (Valid for 30 Days)

Order Will Ship within \_\_\_\_\_ days after receiving your order is confirmed, and receiving your remittance.

# SPECIAL ORDER FORM TONGUE & GROOVE SOFT JAWS

Customer # \_\_\_\_\_ Date: \_\_\_\_\_

Company Name: \_\_\_\_\_ Your Name: \_\_\_\_\_

Address: \_\_\_\_\_

Phone: \_\_\_\_\_ Fax: \_\_\_\_\_ E-mail: \_\_\_\_\_

### ▶ PLEASE NOTE

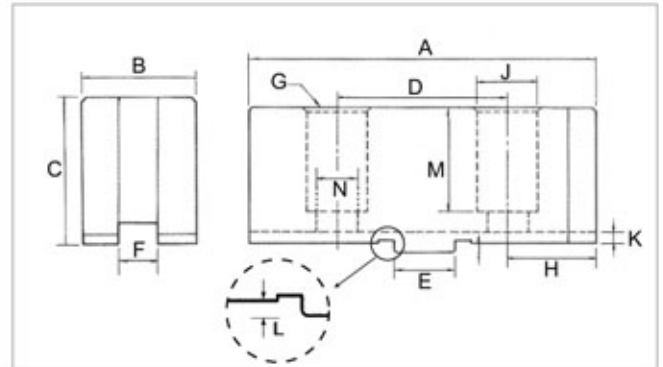
- ▶ Special Order jaws are NON-REFUNDABLE.
- ▶ Special Order Tongue & Groove Jaws have 50sets (150 piece) minimum.

Angle of Jaws: \_\_\_\_\_

\_\_\_\_\_

Quantity (3Pcs/Set ): \_\_\_\_\_

\_\_\_\_\_



UNIT: mm

| Chuck Size | A<br>Length | B<br>Width | C<br>Height | D<br>Hole<br>Space | E | F<br>Groove<br>Width | G<br>Bolt Size | H | J | K | L | M | N | Material<br>Steel |
|------------|-------------|------------|-------------|--------------------|---|----------------------|----------------|---|---|---|---|---|---|-------------------|
|            |             |            |             |                    |   |                      |                |   |   |   |   |   |   |                   |

|       |                                       |   |   |
|-------|---------------------------------------|---|---|
| Angle | (A) <input type="checkbox"/> Flat<br> | (B) <input type="checkbox"/> Standard<br> | (C) <input type="checkbox"/> 120° Pointed<br> |
|-------|---------------------------------------|---|---|

Chuck Make& Model Number: \_\_\_\_\_ Chuck Make& Model Number may help us provide better service to you.

Please fill out if placing an order:

PO#: \_\_\_\_\_ Customer Signature: \_\_\_\_\_ Date: \_\_\_\_\_

## OFFICE USE ONLY

Quoted By: \_\_\_\_\_

List Price Per Set: \_\_\_\_\_ (Valid for 30 Days)

Order Will Ship within \_\_\_\_\_ days after receiving your order is confirmed, and receiving your remittance.

# TAIKI®

Tel: +886-4-2333-3088 Fax: +886-4-2333-3087

E-mail: taiki-jaws@umail.hinet.net URL: //www.taiki-jaws.com





# TAIKI<sup>®</sup>

## NOTE

---

---

---

---

---

---

---

---

---

---

---

---

---

---

---

---

---

---

---

---

---

---

---

---

---

---

---

---

---

---

---

**TAIKI®**



**TAIKI INDUSTRIAL CO., LTD.**

No.11, Lane 468, Wufu Rd., Wufong Dist., Taichung City, 41355, Taiwan.

TEL: +886-4-2333-3088 FAX: +886-4-2333-3087

E-mail: [taiki-jaws@umail.hinet.net](mailto:taiki-jaws@umail.hinet.net)

<http://www.taiki-jaws.com>